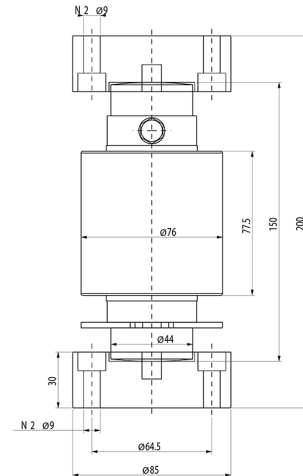


"RCPT" SERIES

Dini Argeo Analogue Column Load Cell



Column load cell for CE-M approved weighbridges, tanks, silos, etc.

CAPACITIES (kg): 20000, 30000, 50000.

OIML R60. C3 precision class.

Special alloy steel body with STAINLESS steel external casing; manufactured with laser solderings. IP68 protection.

Main Features

- C3 Precision Class.
- Special Alloy Steel Body With Stainless Steel External Casing; Manufactured With Laser Solderings. Optimised For Parallel Connection. IP68 Protection Rating.
- Capacity From 20000 To 50000 Kg.
- Shielded 18m Connection Cable.
- Test Certificate Available Upon Request.
- Fitted With Self-aligned Articulated Joints, Selfcentering Plates And Protection Washer (Version With Cups).

Technical Features

- Minimum load cell verification interval: $V_{min} = E_{Max} / 10.000$
- Maximum number of load cell divisions: $n_{LC} = 3000$ (C3)
- Sensitivity: $2mV/V \pm 0,1\%$
- Temperature effect on full scale: $0,002\% / ^\circ C$
- Temperature effect on zero: $0,002\% / ^\circ C$
- Compensated Temperature Range: $-10^\circ C / +40^\circ C$
- Operating Temperature Range: $-30^\circ C / +70^\circ C$
- Creep error after 30 minutes: $0,02\% F.S.$
- Excitation voltage from 5 to 15 VDC
- Input Resistance: 700 ± 20 Ohm
- Output Resistance: 703 ± 7 Ohm
- Zero Balance: $\pm 1\% F.S.$
- Insulation Resistance: >5000 MOhm
- Safe Overload: $>150\% F.S.$
- Ultimate Overload: $250\% F.S.$
- 4-wire shielded cable, 18 m long, 5mm diameter.

Available versions

Code	Max (kg)
RCPT30C3NC	30000
RCPT20C3	20000
RCPT30C3	30000
RCPT50C3	50000

ATEX Version

- The CCATEX certificate makes the load cell suitable for use in hazardous areas with protection methods according to: ATEX II 1G Ex ia IIC T6 (Ta $-20 \div +40^\circ C$) TX (Ta $-20 \div +65^\circ C$) Ga ATEX II 1D Ex ta IIC TX $^\circ C$ (Ta $-20 \div +40^\circ C$) TX $^\circ C$ (Ta $-20 \div +65^\circ C$) Da IP65.

The certificate includes the manual and the ATEX CE conformity declaration (available in EN, DE, FR, and IT).

- IMPORTANT: the certificate refers to the single load cell. For systems with more load cells, it is necessary to order one certificate for each load cell.

Wiring Code	
Colour	Function
GREEN	OUTPUT +
WHITE	OUTPUT -
RED	INPUT +
BLACK	INPUT -

